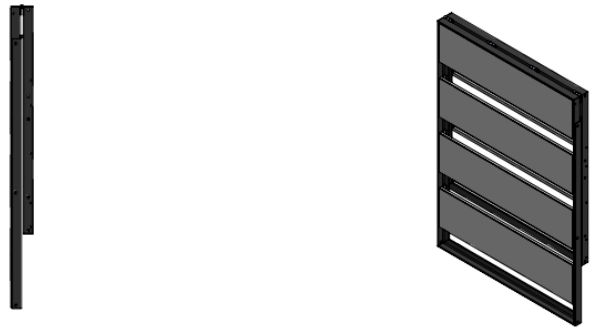
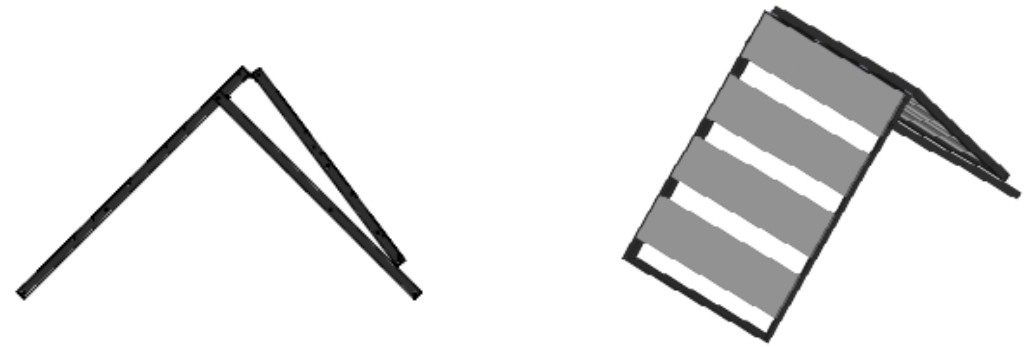


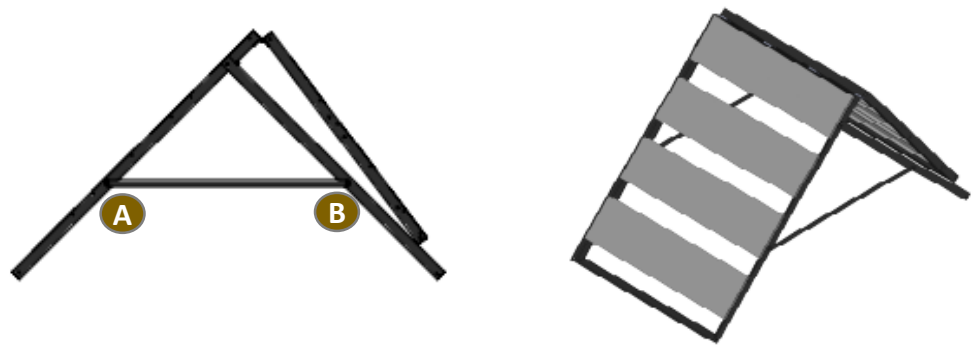
**1** Unbox



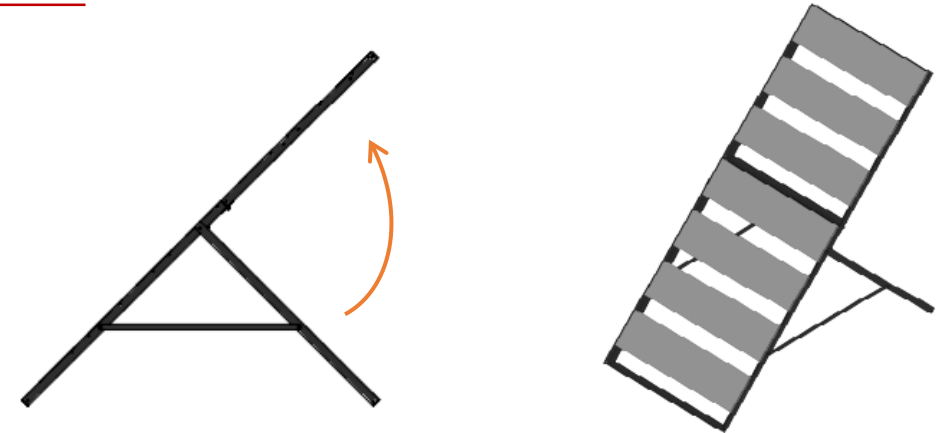
**2** Expand



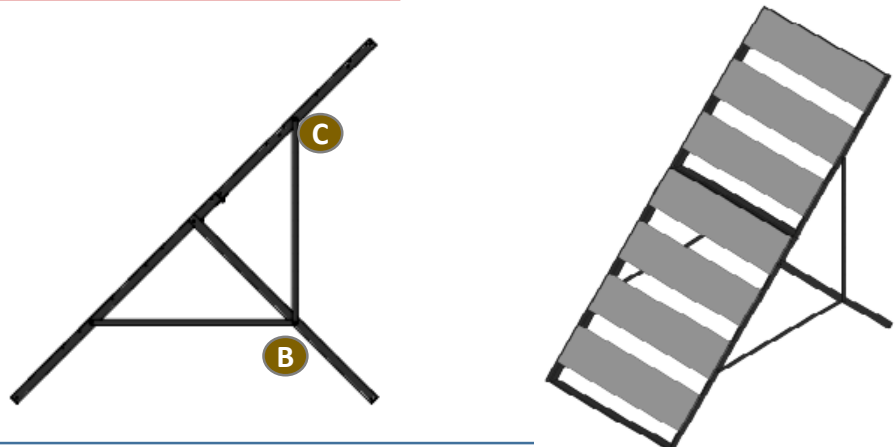
**3** Connect "A" & "B" Points



**4** Unfold Frame



**6** Connect "B" & "C" Points



**6** Unfold - Steps

